

# McCULLOCH<sup>®</sup>

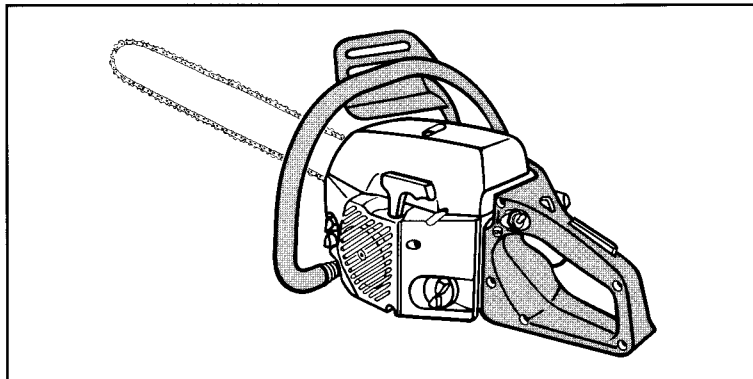
## ***PARTNER***

### ILLUSTRATED PARTS LIST

# PROMAC 40-46 PARTNER P461

SERIAL NUMBER PREFIX 04

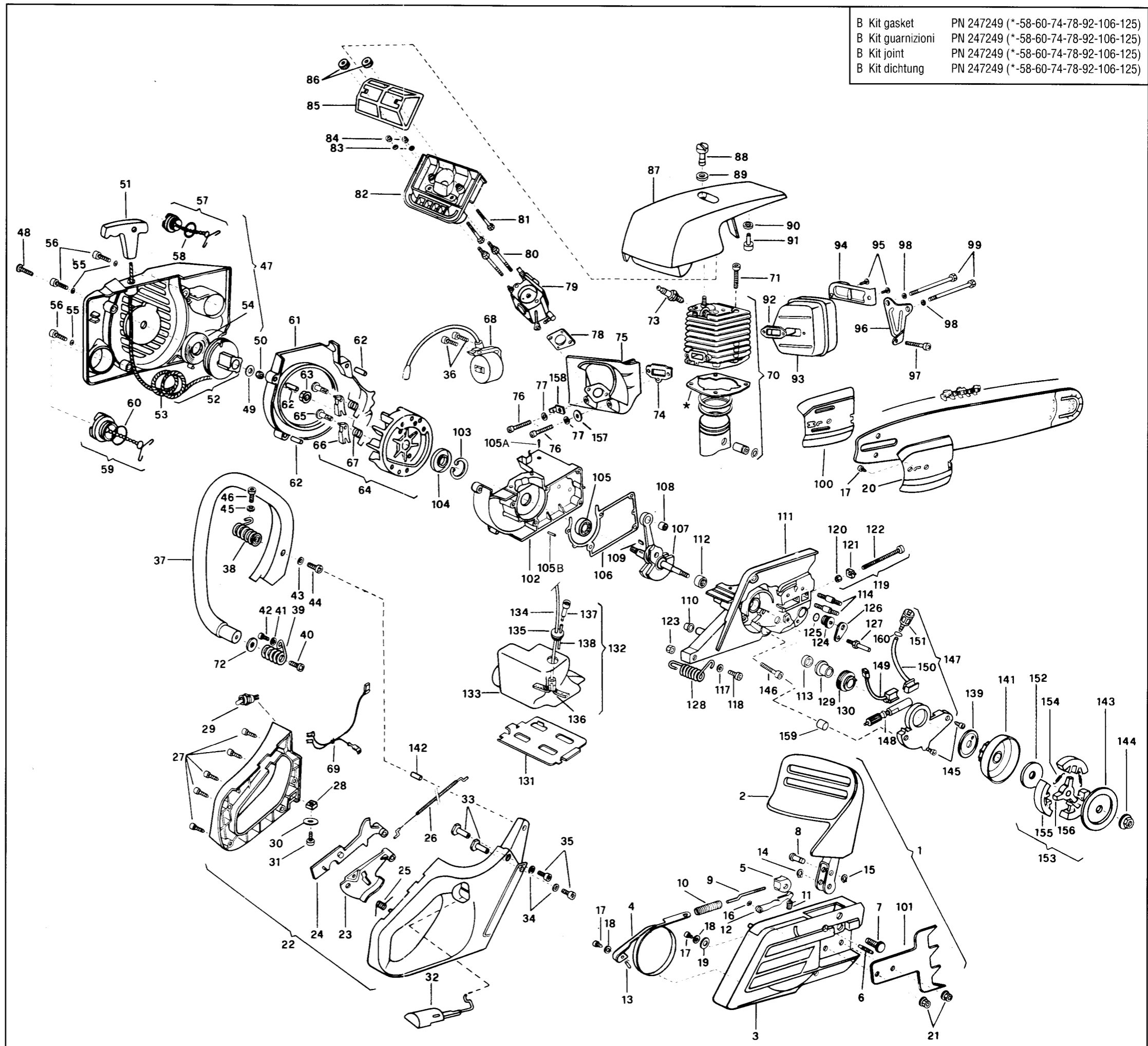
**CE**



March 2000

|   |    |          |           |   |       |         |       |   |
|---|----|----------|-----------|---|-------|---------|-------|---|
| C | 1  | 240872   | McCulloch | 1 | 80    | 240328  | 2     |   |
| C |    | 241937   |           | 1 | 81    | 240334  | M4x40 | 2 |
|   | 2  | ●240288  |           | 1 | 82    | 240262  |       | 1 |
|   | 3  | ●240369  | McCulloch | 1 | 83    | 235248  |       | 2 |
|   |    | ●241936  |           | 1 | 84    | 235216  |       | 2 |
| B | 4  | ●240311  |           | 1 | B 85  | 240263  |       | 1 |
|   | 5  | ●227349  |           | 1 | 86    | 240322  |       | 2 |
|   | 6  | ●240326  |           | 1 | 87    | 240338  | 40cc  | 1 |
|   | 7  | ●227351  |           | 1 |       | 240871  | 46cc  | 1 |
|   | 8  | ●227352  |           | 1 |       | 241935  | P461  | 1 |
|   | 9  | ●240928  |           | 1 | 88    | 240320  |       | 1 |
|   | 10 | ●240929  |           | 1 | 89    | 240321  |       | 1 |
|   | 11 | ●240690  |           | 1 | 90    | 236936  |       | 1 |
|   | 12 | ●227521  |           | 1 | 91    | 240272  |       | 1 |
|   | 13 | ●229394  |           | 1 | C 92  | 240344  |       | 1 |
|   | 14 | ●227524  |           | 1 | 93    | 240291  |       | 1 |
|   | 15 | ●235367  |           | 1 | 94    | ●240297 |       | 1 |
|   | 16 | ●235811  |           | 1 | 95    | ●236981 |       | 2 |
|   | 17 | ●240863  |           | 3 | 96    | 240299  |       | 1 |
|   | 18 | ●235500  |           | 2 | 97    | 236997  | M5x30 | 1 |
|   | 19 | ●227259  |           | 1 | 98    | 227626  |       | 2 |
| C | 20 | ●240360  |           | 1 | 99    | 227567  | M5x70 | 2 |
| A | 21 | 227762   |           | 2 | C 100 | 240359  |       | 1 |
| C | 22 | 240339   |           | 1 | C 101 | 240855  |       | 1 |
| C | 23 | ●240301  |           | 1 | 102   | 248056  |       | 1 |
| C | 24 | ●240302  |           | 1 | 103   | ●235899 |       | 1 |
|   | 25 | ●240303  |           | 1 | C 104 | ●228872 |       | 1 |
| C | 26 | ●240367  |           | 1 | 105   | ●235900 |       | 1 |
|   | 27 | ●240862  |           | 5 | 105A  | ●236728 |       | 1 |
|   | 28 | 229524   |           | 1 | 105B  | ●241597 |       | 2 |
| C | 29 | 240859   |           | 1 | 106   | 240312  |       | 1 |
|   | 30 | 227259   |           | 1 | 107   | 241255  | 40cc  | 1 |
|   | 31 | 240845   | M5x16     | 1 |       | 241256  | 46cc  | 1 |
| C | 32 | 247259   |           | 1 | C 108 | ●235742 | 40cc  | 1 |
|   | 33 | 240315   |           | 2 | C     | ●227329 | 46cc  | 1 |
|   | 34 | 235248   |           | 2 | C 109 | 227631  |       | 1 |
|   | 35 | 235802   | M5x14     | 2 | 110   | 235672  |       | 1 |
|   | 36 | 235806   | M5x20     | 2 | 111   | 248057  |       | 1 |
|   | 37 | 240281   |           | 1 | 112   | ●241253 |       | 1 |
| B | 38 | 241231   | 40cc      | 1 | 113   | ●228872 |       | 1 |
| B |    | 240289   | 46cc      | 1 | B 114 | ●240349 | M8/M6 | 2 |
| B | 39 | 240285   |           | 1 | 117   | 227259  |       | 1 |
|   | 40 | 240354   |           | 1 | 118   | 235806  | M5x20 | 1 |
|   | 41 | 235248   |           | 1 | A 119 | 240317  |       | 1 |
|   | 42 | 235802   | M5x14     | 1 | B 120 | ●229208 |       | 1 |
|   | 43 | 235248   |           | 1 | B 121 | ●240205 |       | 1 |
|   | 44 | 235803   | M5x25     | 1 | B 122 | ●240318 |       | 1 |
|   | 45 | 227259   |           | 1 | 123   | 235642  |       | 1 |
|   | 46 | 235802   | M5x14     | 1 | 124   | 240310  |       | 1 |
| C | 47 | 240336   | McCulloch | 1 | 125   | 240333  |       | 1 |
| C |    | 241933   |           | 1 | 126   | 240309  |       | 1 |
|   | 48 | ●240316  | M5x35     | 1 | C 127 | 240363  |       | 1 |
|   | 49 | ●240921  |           | 1 | B 128 | 240286  |       | 1 |
|   | 50 | ●229208  |           | 1 | 129   | 241098  |       | 1 |
|   | 51 | ●240884  |           | 1 | C 130 | 241096  |       | 1 |
| B | 52 | ●235372  |           | 1 | 131   | 240867  |       | 1 |
| A | 53 | ●235042  |           | 1 | 133   | ●240300 |       | 1 |
| B | 54 | ●235040  |           | 1 | B 134 | ●240868 |       | 1 |
|   | 55 | 235248   |           | 3 | C 135 | ●235675 |       | 1 |
|   | 56 | 236997   | M5x30     | 3 | A 136 | ●240452 |       | 1 |
| B | 57 | 240866   |           | 1 | C 137 | ●227582 |       | 1 |
| C | 58 | ●235511  |           | 1 | 138   | ●229716 |       | 1 |
| B | 59 | 240865   |           | 1 | 139   | 241099  |       | 1 |
| C | 60 | ●235510  |           | 1 | B 141 | 240260  | 3/8"  | 1 |
|   | 61 | 247290   |           | 1 | B     | 240266  | .325" | 1 |
|   | 62 | ●240358  |           | 3 | 142   | 240323  |       | 1 |
|   | 63 | 235218   |           | 1 | 143   | 241275  |       | 1 |
|   | 64 | 241204   |           | 1 | 144   | 241285  |       | 1 |
| B | 65 | ●235516  |           | 2 | 145   | 229250  |       | 2 |
| B | 66 | ●235517  |           | 2 | 146   | 236997  | M5x30 | 4 |
| B | 67 | ●235518  |           | 2 | B 147 | 241100  |       | 1 |
| C | 68 | 241291   |           | 1 | C 148 | ●228854 |       | 1 |
| C | 69 | ●240370  |           | 1 | 149   | ●240308 |       | 1 |
| C | 70 | FIGURE 2 |           | 1 | 150   | ●240874 |       | 1 |
|   | 71 | 227565   | M5x25     | 4 | C 151 | 225062  |       | 1 |
|   | 72 | 236934   |           | 1 | 152   | 241272  |       | 1 |
| A | 73 | 92879    |           | 1 | 153   | 241274  |       | 1 |
| B | 74 | 240345   |           | 1 | B 154 | ●240926 |       | 3 |
|   | 75 | 240271   | 40cc      | 1 | 155   | ●227359 |       | 3 |
|   |    | 240261   | 46cc      | 1 | 156   | ●241273 |       | 1 |
|   | 76 | 236997   | M5x30     | 2 | 157   | 235248  |       | 1 |
|   | 77 | 236529   |           | 2 | 158   | 228139  |       | 1 |
| A | 78 | 227692   |           | 1 | 159   | 241162  |       | 1 |
| C | 79 | FIGURE 3 |           | 1 | 160   | 241984  |       | 1 |

B Kit gasket PN 247249 (\*-58-60-74-78-92-106-125)  
 B Kit guarnizioni PN 247249 (\*-58-60-74-78-92-106-125)  
 B Kit joint PN 247249 (\*-58-60-74-78-92-106-125)  
 B Kit dichtung PN 247249 (\*-58-60-74-78-92-106-125)



**FIGURE 1**

A = high moving - alta rotazione - haute demande - große Nachfrage  
 B = medium moving - media rotazione - moyenne demande - mittelmäßige Nachfrage  
 C = slow moving - bassa rotazione - basse demande - wenige Nachfrage

|              |              |  |  |        |   |        |        |   |   |   |        |        |   |   |   |        |        |   |   |    |        |        |   |   |    |        |        |   |
|--------------|--------------|--|--|--------|---|--------|--------|---|---|---|--------|--------|---|---|---|--------|--------|---|---|----|--------|--------|---|---|----|--------|--------|---|
|              | <b>40 cc</b> |  | <table border="0"> <tr><td>C</td><td>1</td><td></td><td>247254</td><td>1</td></tr> <tr><td>B</td><td>2</td><td>•</td><td>240343</td><td>1</td></tr> <tr><td>C</td><td>3</td><td>•</td><td>247257</td><td>1</td></tr> <tr><td></td><td>4</td><td>••</td><td>235008</td><td>2</td></tr> <tr><td>B</td><td>5</td><td>••</td><td>240085</td><td>2</td></tr> </table> | C      | 1 |        | 247254 | 1 | B | 2 | •      | 240343 | 1 | C | 3 | •      | 247257 | 1 |   | 4  | ••     | 235008 | 2 | B | 5  | ••     | 240085 | 2 |
|              | C            | 1  |  | 247254 | 1 |        |        |   |   |   |        |        |   |   |   |        |        |   |   |    |        |        |   |   |    |        |        |   |
| B            | 2            | •  | 240343   | 1      |   |        |        |   |   |   |        |        |   |   |   |        |        |   |   |    |        |        |   |   |    |        |        |   |
| C            | 3            | •  | 247257   | 1      |   |        |        |   |   |   |        |        |   |   |   |        |        |   |   |    |        |        |   |   |    |        |        |   |
|              | 4            | ••   | 235008   | 2      |   |        |        |   |   |   |        |        |   |   |   |        |        |   |   |    |        |        |   |   |    |        |        |   |
| B            | 5            | ••   | 240085   | 2      |   |        |        |   |   |   |        |        |   |   |   |        |        |   |   |    |        |        |   |   |    |        |        |   |
| <b>46 cc</b> |              | <table border="0"> <tr><td>C</td><td>1</td><td></td><td>247255</td><td>1</td></tr> <tr><td>B</td><td>2</td><td>•</td><td>240343</td><td>1</td></tr> <tr><td>C</td><td>3</td><td>•</td><td>247258</td><td>1</td></tr> <tr><td></td><td>4</td><td>••</td><td>229544</td><td>2</td></tr> <tr><td>B</td><td>5</td><td>••</td><td>240353</td><td>1</td></tr> </table> | C  | 1      |   | 247255 | 1      | B | 2 | • | 240343 | 1      | C | 3 | • | 247258 | 1      |   | 4 | •• | 229544 | 2      | B | 5 | •• | 240353 | 1      |   |
| C            | 1            |  | 247255   | 1      |   |        |        |   |   |   |        |        |   |   |   |        |        |   |   |    |        |        |   |   |    |        |        |   |
| B            | 2            | •  | 240343   | 1      |   |        |        |   |   |   |        |        |   |   |   |        |        |   |   |    |        |        |   |   |    |        |        |   |
| C            | 3            | •  | 247258   | 1      |   |        |        |   |   |   |        |        |   |   |   |        |        |   |   |    |        |        |   |   |    |        |        |   |
|              | 4            | ••   | 229544   | 2      |   |        |        |   |   |   |        |        |   |   |   |        |        |   |   |    |        |        |   |   |    |        |        |   |
| B            | 5            | ••   | 240353   | 1      |   |        |        |   |   |   |        |        |   |   |   |        |        |   |   |    |        |        |   |   |    |        |        |   |

**FIGURE 2**

| <b>WALBRO WT 414</b> |   |    |               |         |
|----------------------|---|----|---------------|---------|
|                      |   |    |               |         |
| C                    | - |    | <b>240350</b> | carbur. |
| B                    | 1 | •  | 247260        | 1       |
| A                    | 2 | •• | 229191        | 1       |
|                      | 3 | •  | 247261        | 1       |
|                      | 4 | •  | 237481        | 1       |
|                      | 5 | •  | 247388        | H 1     |
|                      | 6 | •  | 246540        | L 1     |
|                      | 7 | •  | 229601        | 2       |
| C                    | 8 | •  | 247387        | 1       |

**FIGURE 3**

A = high moving - alta rotazione - haute demande - große Nachfrage  
 B = medium moving - media rotazione - moyenne demande - mittelmäßige Nachfrage  
 C = slow moving - bassa rotazione - basse demande - wenige Nachfrage